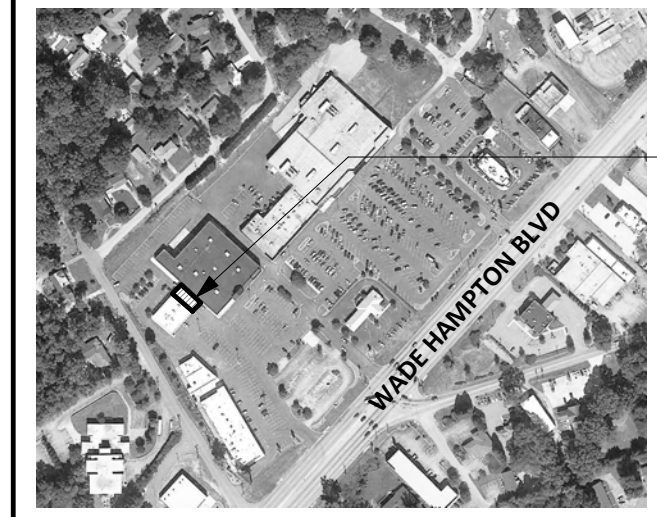


VICINITY MAP



VACANT SPACE
(UNIT 204)
LOWER LEVEL



DISCLAIMER:
THESE DOCUMENTS HAVE BEEN PREPARED FOR INFORMATION ONLY AND ARE NOT PROVIDED FOR CONSTRUCTION. ALL DIMENSIONS AND EXISTING CONDITIONS MUST BE FIELD VERIFIED PRIOR TO ANY CONSTRUCTION.
FIELD MEASUREMENTS ARE RECORDED TO THE NEAREST 1/32" AS DOCUMENTED IN THE FINAL CAD (DWG) DOCUMENT. DIMENSIONS SHOWN ARE ROUNDED TO THE NEAREST 1" FOR CLARITY.

GENERAL INFORMATION:

NO. OF LEVELS: LOWER LEVEL W/
UPPER LEVEL EGRESS HALL
BUILDING HEIGHT: (UNKNOWN)
RESTROOM (ADA) COMPLIANCE: NON-COMPLIANT
**REFER TO LOD SUPPLEMENT*

STRUCTURAL SPOT ELEVATIONS
**REFER TO PLAN FOR LOCATIONS*
BS = BOTTOM OF STRUCT.
BD = BOTTOM OF DECKING

FIRE ALARM: YES
FIRE PROTECTION (SPRINKER): YES
WATER METER: N/A
WATER HEATER: N/A
GAS METER: N/A



LEGEND

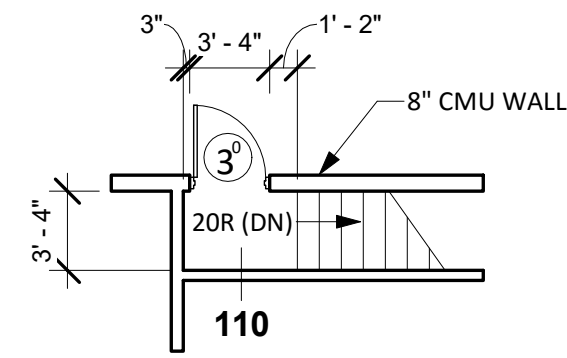
- HH/SH=4'-0" = SILL/HEAD HEIGHT
- 6" OH = DOOR WIDTH/TYPE
- SPOT ELEVATION
- FE = FIRE EXTINGUISHER
- FA = FIRE ALARM (PULL STATION)
- FS = FIRE STROBE
- CF = CEILING FAN
- RD = ROOF DRAIN (INTERNAL)



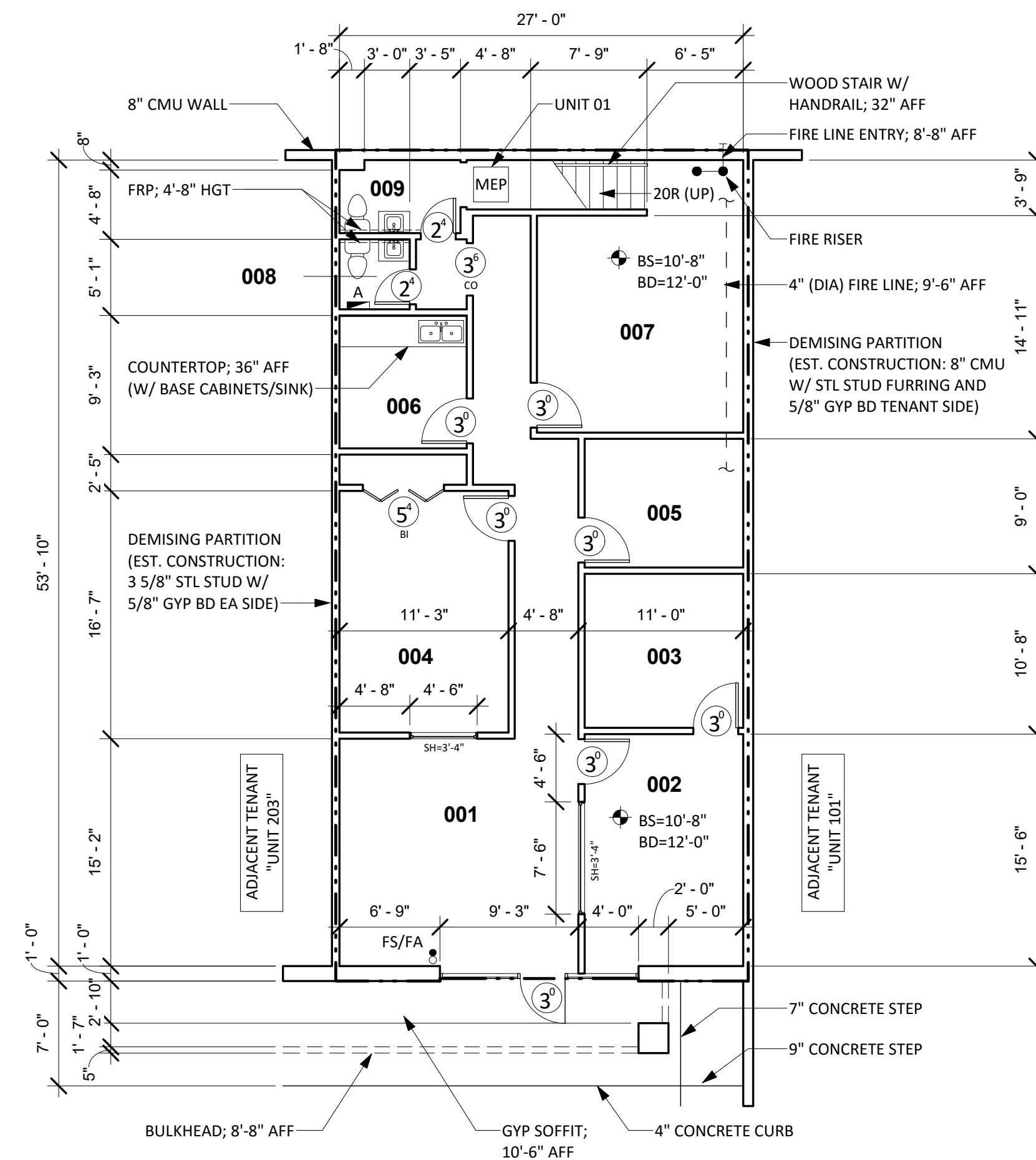
RESTROOM (008) RESTROOM (009)
1 RESTROOM COMPLIANCE (PHOTOS)
NOT TO SCALE



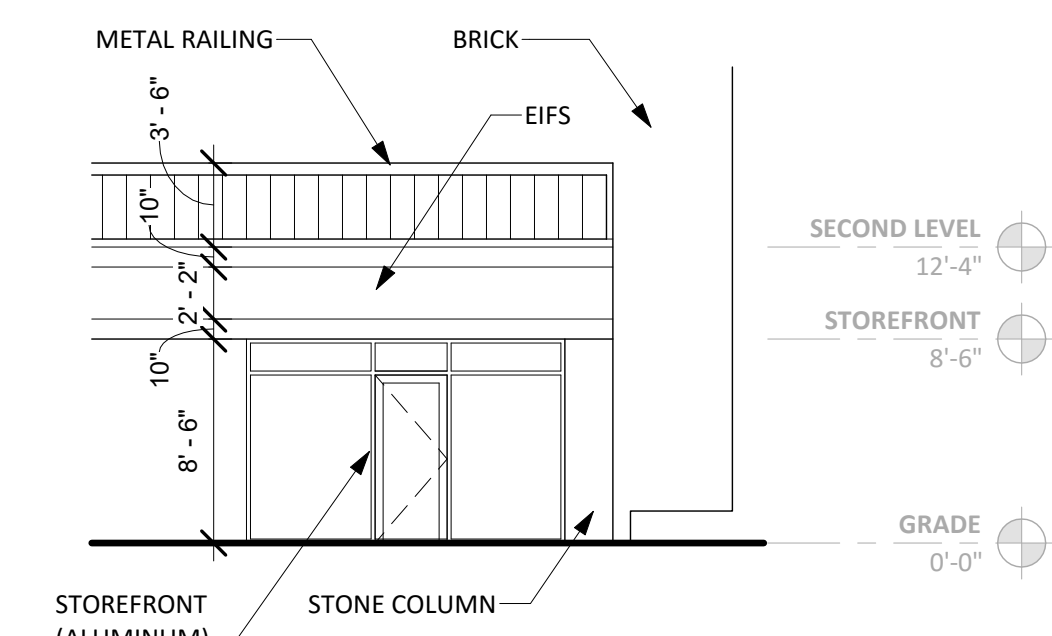
2 ELEVATION (PHOTO)
NOT TO SCALE



5 EXISTING FLOOR PLAN (UPPER LEVEL)
1/8" = 1'-0"



4 EXISTING FLOOR PLAN
1/8" = 1'-0"



3 FRONT ELEVATION
1/8" = 1'-0"



UNIT 01

EXISTING MECHANICAL SUMMARY

COMPONENT	MANUFACTURE	CATALOG NO.	COMMENTS
UNIT 01	UNKNOWN	F16-F20D2C3.5	AIR CONDITIONING UNIT (ELECTRIC); MOTOR 1/3 HP 3.0



PANEL A

EXTERIOR ELEC METER

EXISTING ELECTRICAL SUMMARY

COMPONENT	MANUFACTURE	CATALOG NO.	VOLTAGE	AMPS	PHASING	CIRCUITS	COMMENTS
PANELBOARD (A)	GE	UNKNOWN	120/240	N/A	N/A	12 USED	

EXISTING FINISH/CONDITIONS SUMMARY (204)

ROOM	FLR MAT'L	FLR COND.	BASE	WALL MAT'L	WALL COND.	CLG MAT'L	CLG HGT	CLG COND.	ADD'L COMMENTS
001	CARPET	GOOD	4" WOOD	WALLBOARD (PTD)	GOOD	ACT	9'-0"	GOOD	
002	CARPET	GOOD	4" WOOD	WALLBOARD (PTD)	GOOD	ACT	9'-0"	GOOD	
003	CARPET	GOOD	4" WOOD	WALLBOARD (PTD)	GOOD	ACT	9'-0"	GOOD	
004	CARPET	GOOD	4" WOOD	WALLBOARD (PTD)	GOOD	ACT	9'-0"	FAIR	
005	CARPET	GOOD	4" WOOD	WALLBOARD (PTD)	GOOD	ACT	9'-0"	GOOD	
006	CARPET	GOOD	4" WOOD	WALLBOARD (PTD)	GOOD	ACT	9'-0"	FAIR	
007	CARPET	GOOD	4" WOOD	WALLBOARD (PTD) / CMU (PTD)	GOOD	ACT	9'-0"	FAIR	
008	CARPET	GOOD	4" WOOD	WALLBOARD (PTD)	GOOD	ACT	8'-0"	FAIR	4'-8" FRP WAINSCOT
009	CARPET	GOOD	4" WOOD	WALLBOARD (PTD) / CMU (PTD)	GOOD	ACT	7'-10"	POOR	4'-8" FRP WAINSCOT
110	EXPOSED CONC	GOOD	--	WALLBOARD (PTD) / CMU (PTD)	GOOD	WALLBOARD (PTD)	9'-8"	FAIR	

NOTE
01) STOREFRONT: ALUMINUM/GLASS (GOOD CONDITION)

CONDITION EVALUATION DEFINITION:
(GOOD) - AVERAGE/ABOVE AVERAGE CONDITION. NO REMEDIAL WORK IS RECOMMENDED OR REQUIRED.
(FAIR) - AVERAGE CONDITION. SOME WORK IS RECOMMENDED TO RETURN TO GOOD CONDITION
(POOR) - BELOW AVERAGE CONDITION. SIGNIFICANT WORK SHOULD BE ANTICIPATED TO RESTORE